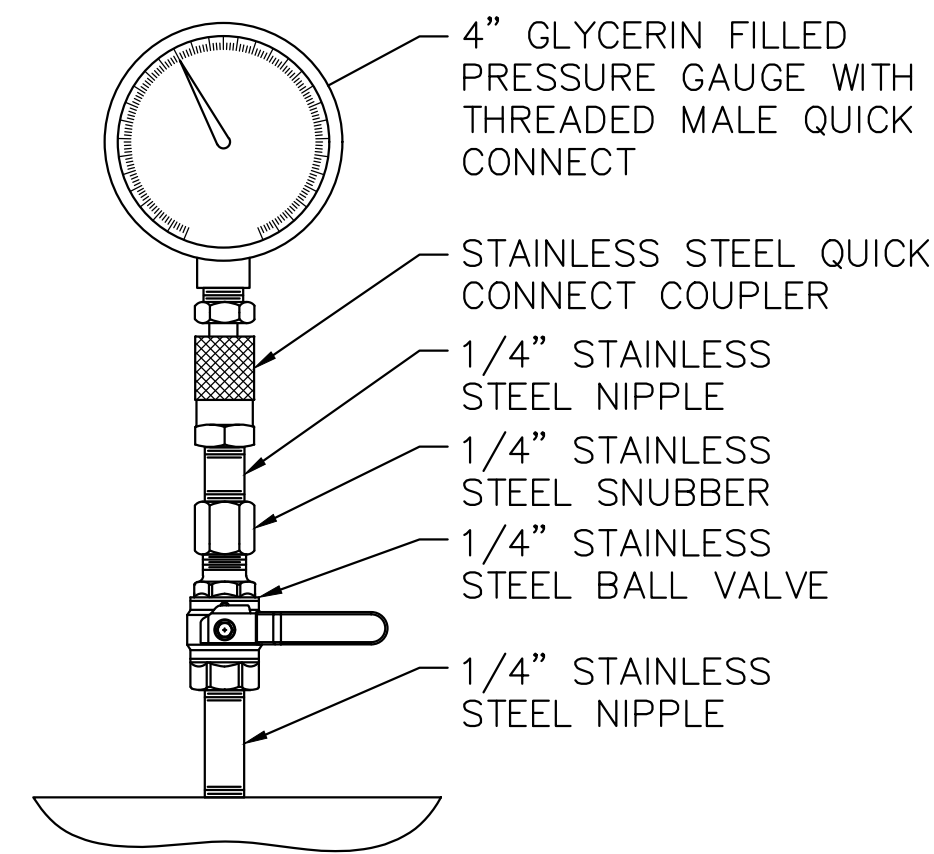
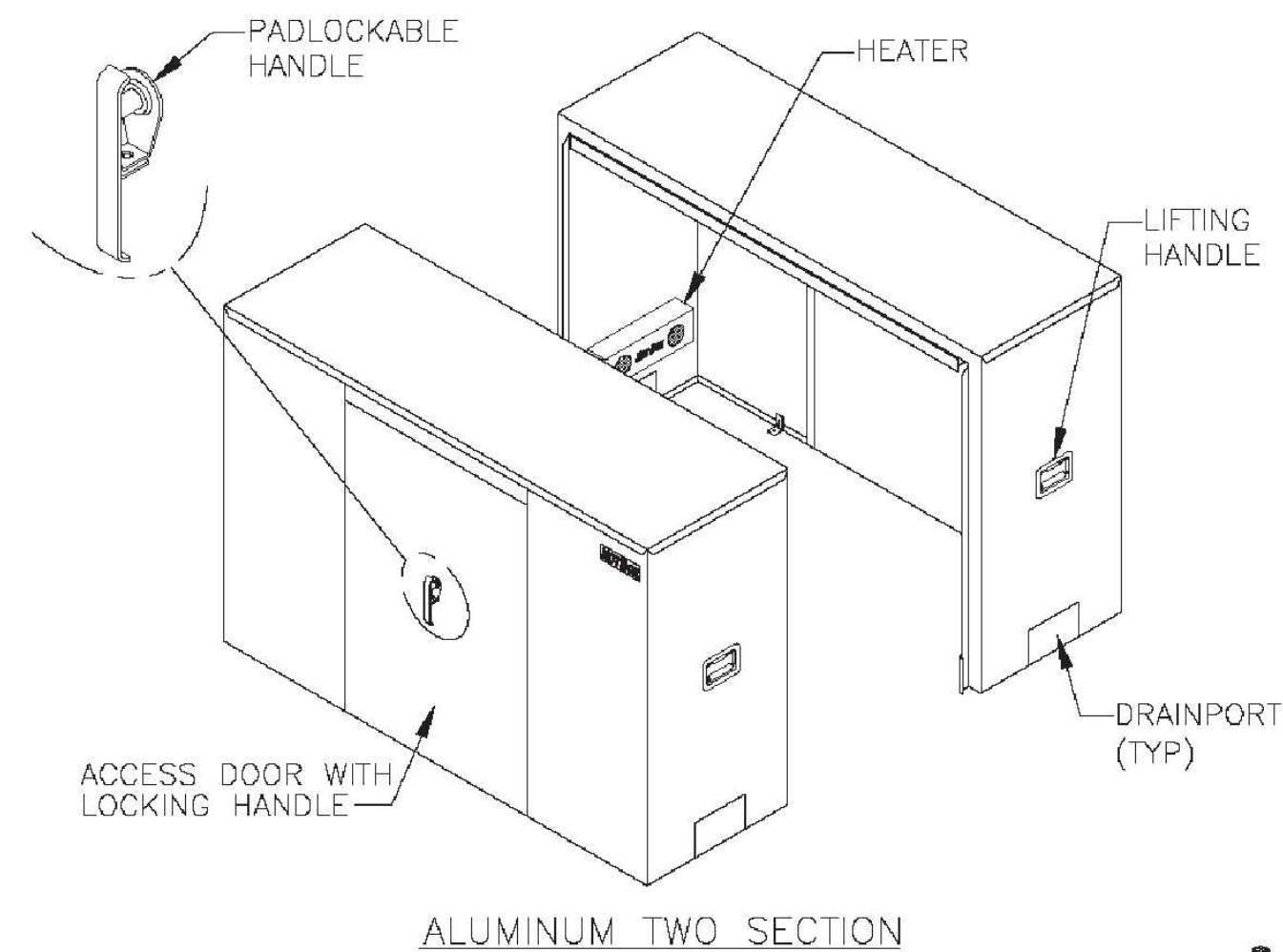


**NOTES:**

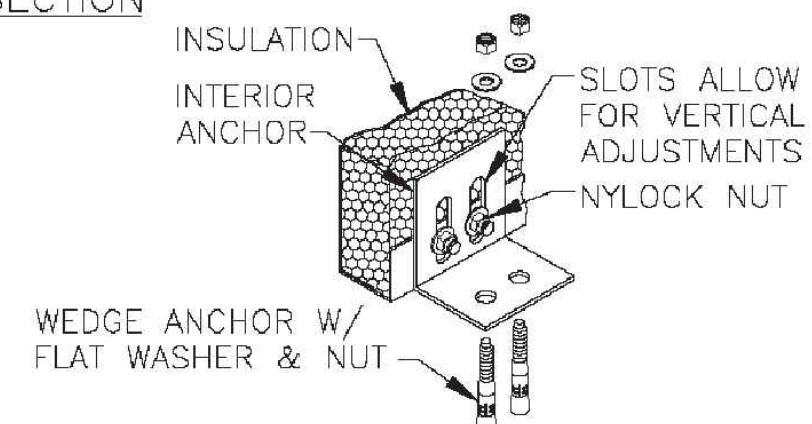
1. PLANS MUST BE APPROVED BY THE MUNICIPAL AUTHORITY OF THE BOROUGH OF LEWISTOWN.
2. ANY PLAN CHANGES MUST BE APPROVED BY THE MUNICIPAL AUTHORITY OF THE BOROUGH OF LEWISTOWN.
3. TEE CONNECTION FOR FIRE LINE AND DOMESTIC WATER SUPPLY SHALL BE CONNECTED AS REQUIRED.
4. ALL MATERIALS SHALL BE AWWA AND NSF 61 APPROVED.
5. ALL PIPING GREATER THAN OR EQUAL TO 4 INCHES IN DIAMETER SHALL BE DUCTILE IRON. PIPING LESS THAN 4 INCHES WILL BE AS APPROVED BY THE MUNICIPAL AUTHORITY.
6. ISOLATION GATE VALVES OR BALL VALVES FOR RPZ MUST BE SUPPLIED AS PART OF THE RPZ ASSEMBLY AND SIZED APPROPRIATELY.
7. ALL RPZ ASSEMBLIES MUST BE INSTALLED HORIZONTALLY.
8. CONCRETE THRUST BLOCKS MUST BE USED ON ALL UNDERGROUND BENDS AND TEES.
9. FIRE LINES DO NOT REQUIRE A METER UNLESS A TANK IS PRESENT OR CONCERNS ARE BROUGHT UP BY THE AUTHORITY.



**PRESSURE GAUGE DETAIL**  
SCALE: NONE



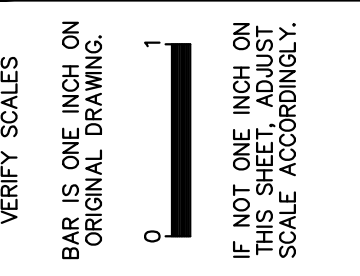
ALUMINUM TWO SECTION



DOUBLE ANCHOR DETAIL  
LOCATED ON EACH SIDE OF SEAMS

**ALUMINUM HOT BOX**  
SCALE: NONE

Label	Item	Pipe Diameter (in.)	Item Dimension	Units
a	Pressure Reducing Valve Total Length	2	9.38	Inches
		2.5	11	
		3	12	
		4	15	
		6	20	
b	Straight Pipe Length Upstream of Meter	8	25.38	Inches
		2	10	
		2.5	12.5	
		3	15	
		4	20	
		6	30	
c	Straight Pipe Length Downstream of Meter	8	40	Inches
		2	8	
		2.5	10	
		3	12	
		4	16	
d	Meter with Strainer Total Length	6	24	Inches
		8	32	
		2	15-1/4	
		2.5	USE 2" METER	
		3	17	
		4	20	
e	Reduced Pressure Zone Assembly Total Length	6	24	Inches
		8	30-1/8	
		2	21-3/8	
		2.5	41-1/4	
		3	42-1/4	
f	Ball Valve Total Length	4	20	Inches
		6	24	
		2	7	
		2.5	7.5	
		3	8	
g	Gate Valve Total Length	4	9	Inches
		6	10.5	
		2	7	
		2.5	7.5	
		3	8	
h	Reduced Pressure Detector Assembly Total Length	8	11.5	Inches
		2	USE 2.5" PIPE SIZE	
		2.5	30-3/4	
		3	31-3/4	
		4	33-3/4	



VERIFY SCALES  
BAR IS ONE INCH ON ORIGINAL DRAWING.  
IF NOT ONE INCH ON THIS SHEET, ADJUST SCALE ACCORDINGLY.

DATE

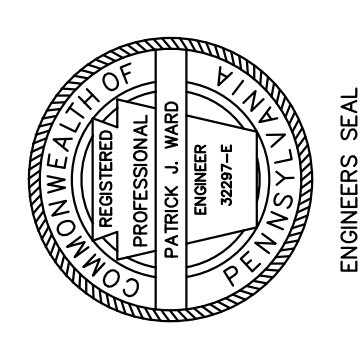
REV. DESCRIPTION

DESIGNED BY: MAC

CHECKED BY: P.U.W.

DRAWN BY: J.L.H.

02-01-19



ENGINEER'S SEAL

THE MUNICIPAL AUTHORITY OF THE BOROUGH OF LEWISTOWN

CROSS CONNECTION DETAILS

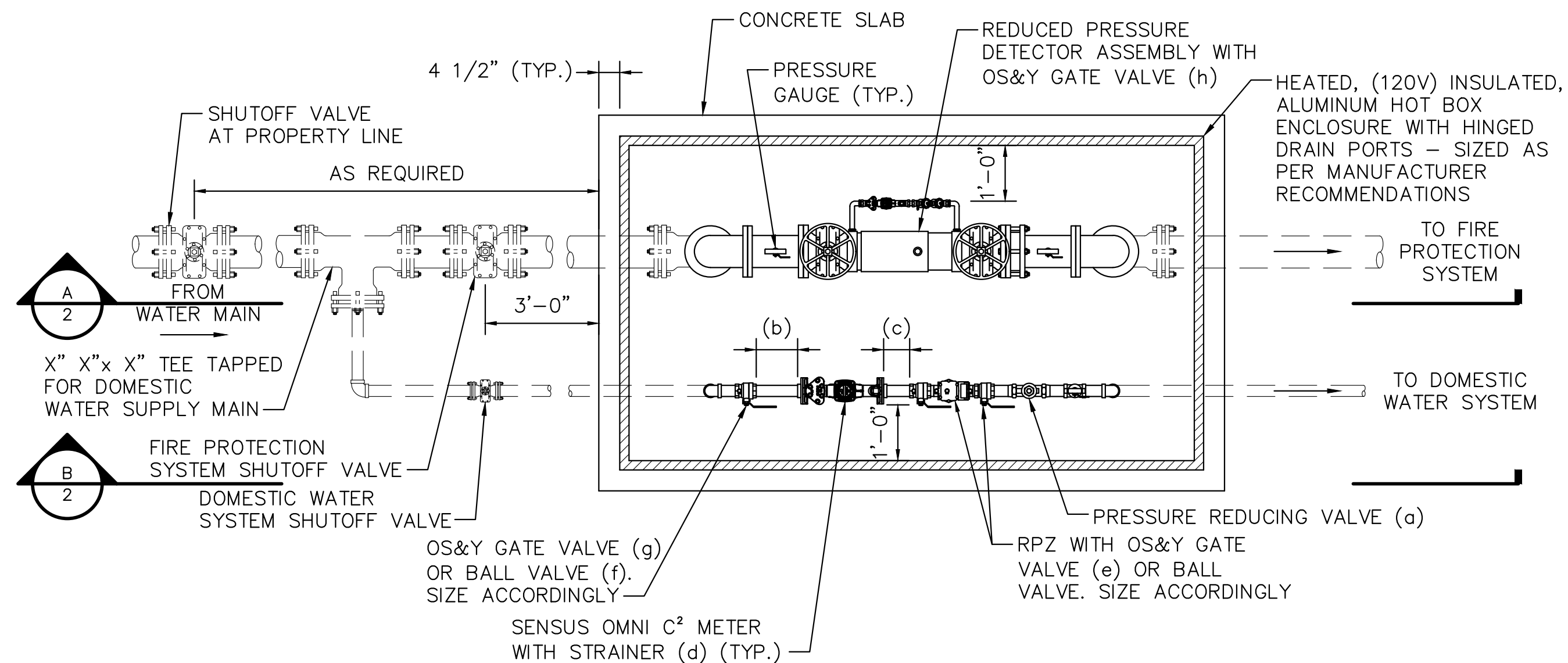
METERING PLAN NOTES AND DETAILS

SCALE AS NOTED

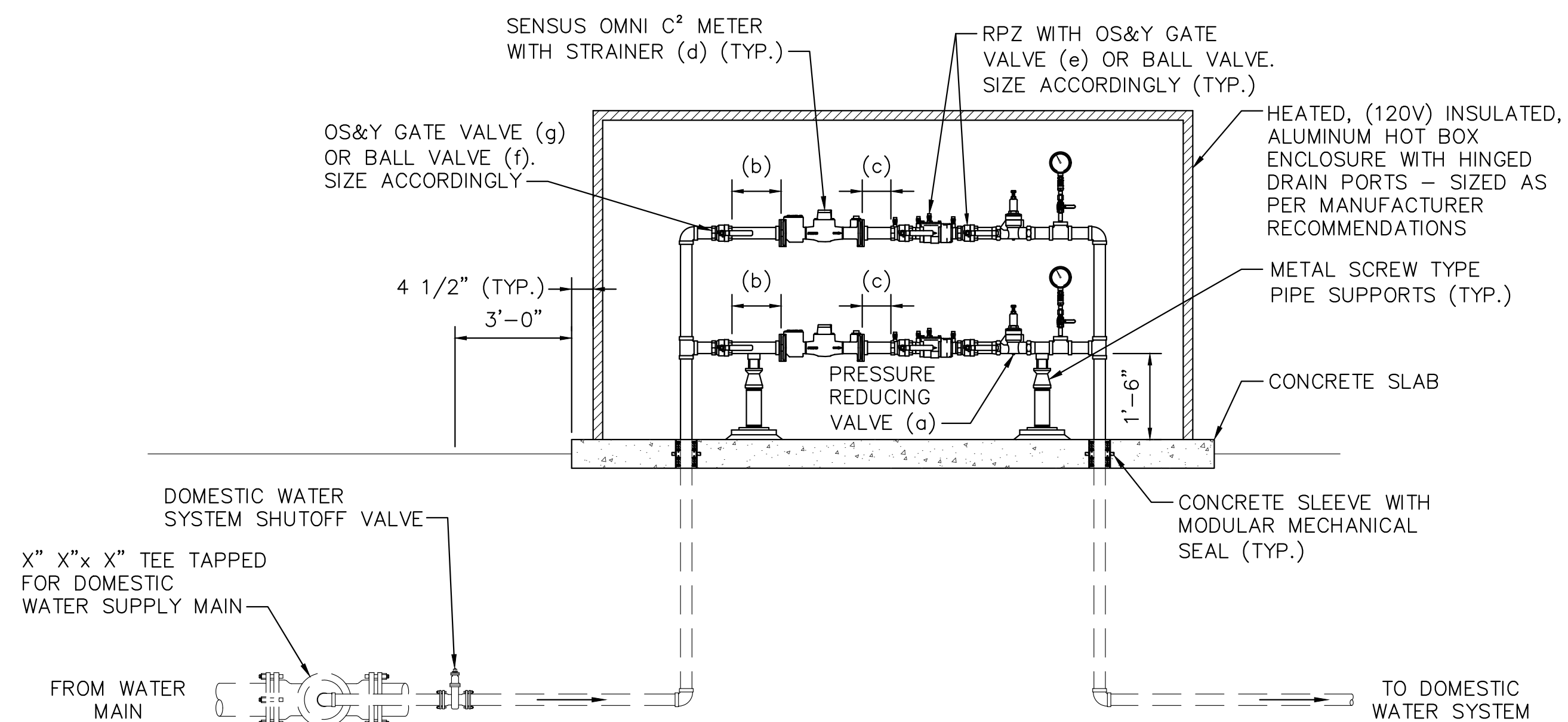
PROJECT NO. 0179049007

SHEET NO. 1

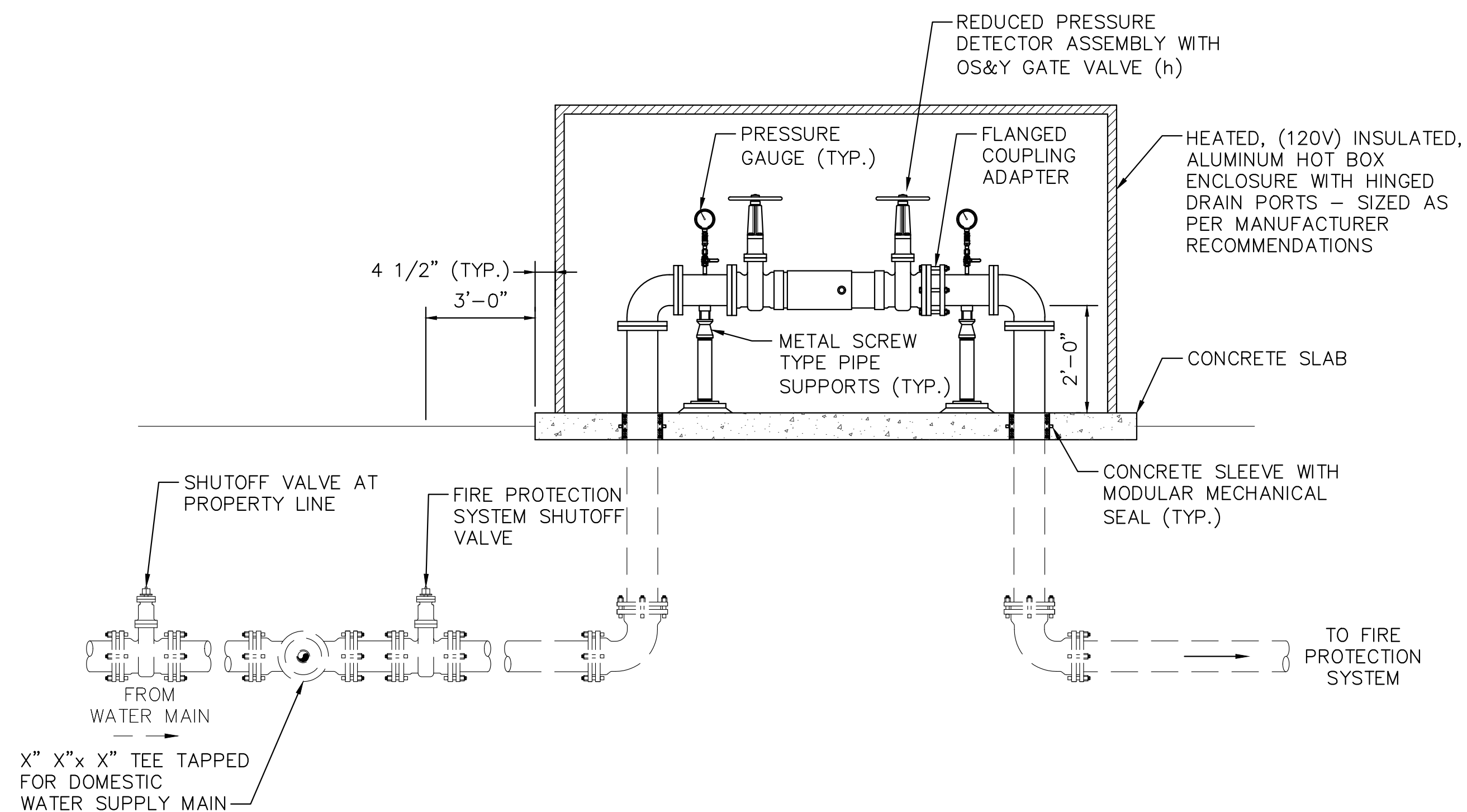
# HOT BOX INSTALLATION DETAILS



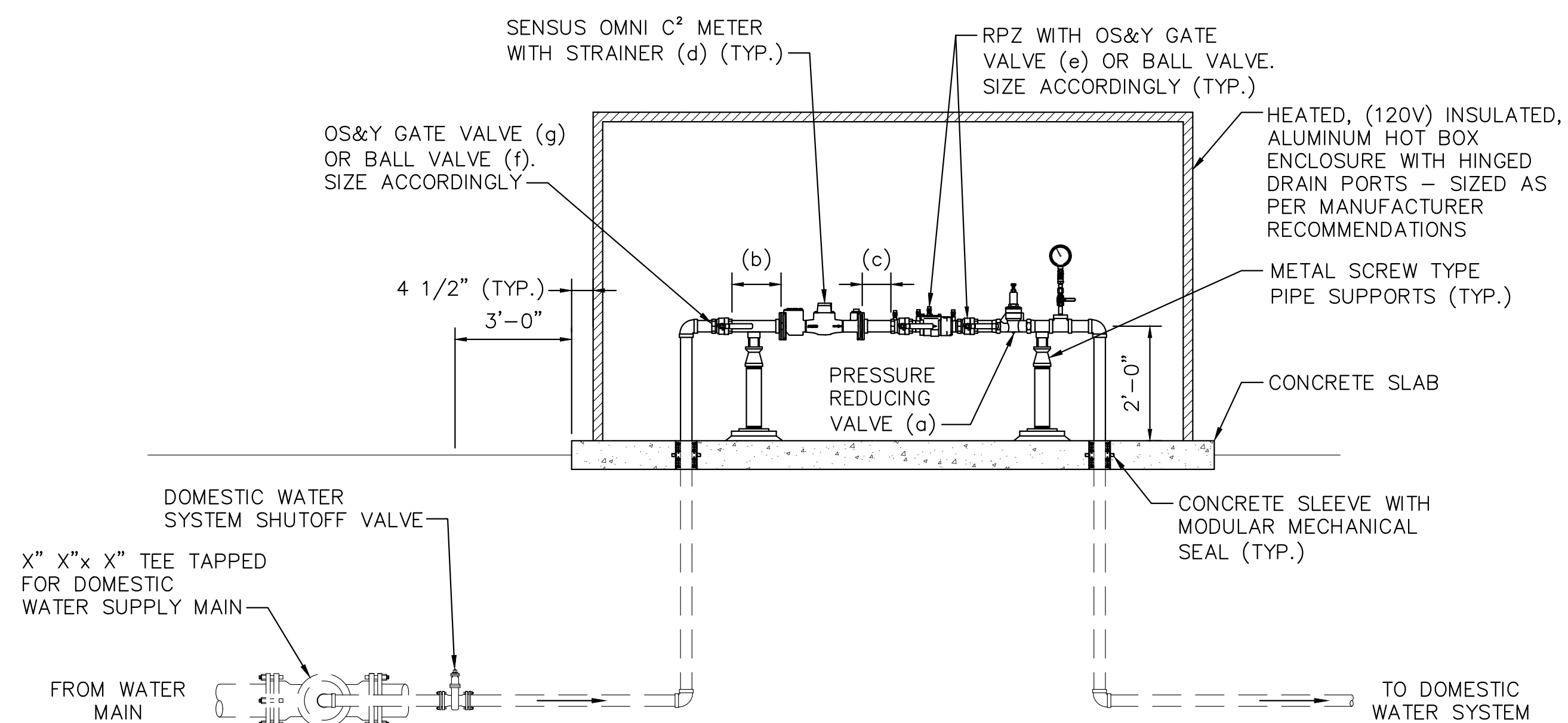
**PLAN**  
SCALE: 1/2"=1'-0"



**SECTION**  
SCALE: 1/2"=1'-0"



**SECTION**  
SCALE: 1/2"=1'-0"



**SECTION (WITHOUT DOMESTIC BYPASS)**  
SCALE: 1/2"=1'-0"

VERIFY SCALES  
BAR IS ONE INCH ON ORIGINAL DRAWING.  
IF NOT ONE INCH ON THIS SHEET, ADJUST SCALE ACCORDINGLY.

DATE

REV. DESCRIPTION

DESIGNED BY: MAC  
CHECKED BY: P.U.W.  
DRAWN BY: J.L.H.  
02-01-19

MUNICIPAL AUTHORITY OF THE BOROUGH OF LEWISTOWN

ENGINEER'S SEAL

THE MUNICIPAL AUTHORITY OF THE BOROUGH OF LEWISTOWN

CROSS CONNECTION DETAILS

METERING PLANS

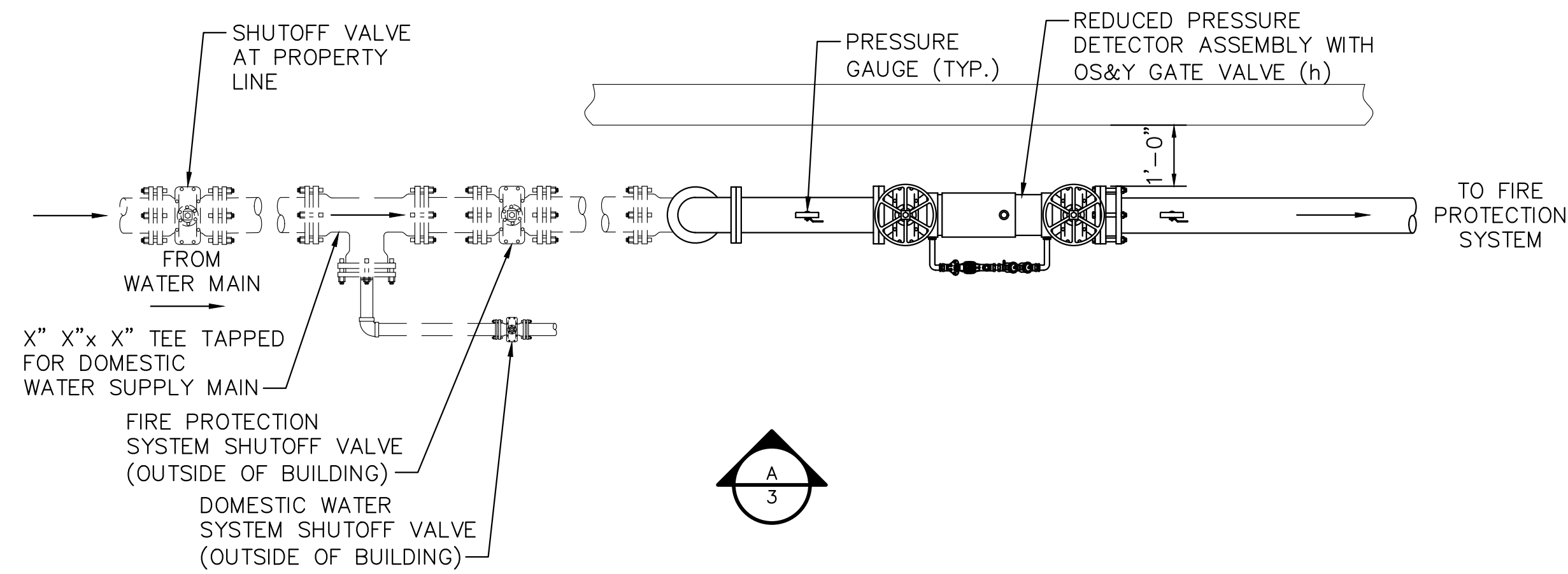
SCALE AS NOTED

PROJECT NO. 0179049007

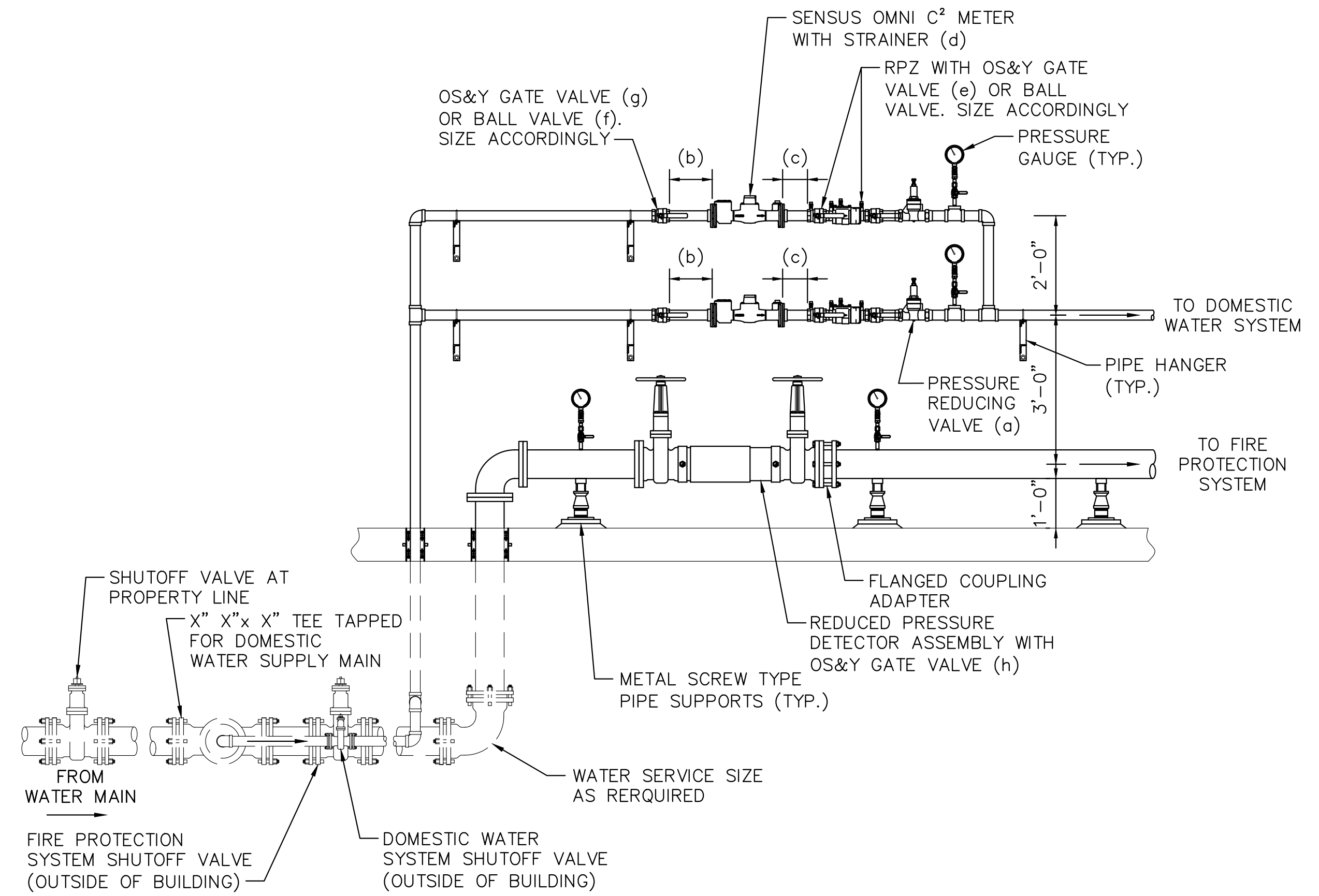
SHEET NO. 2

I:\0179\049007\CADD\CROSS CONNECTION DETAILS.DWG

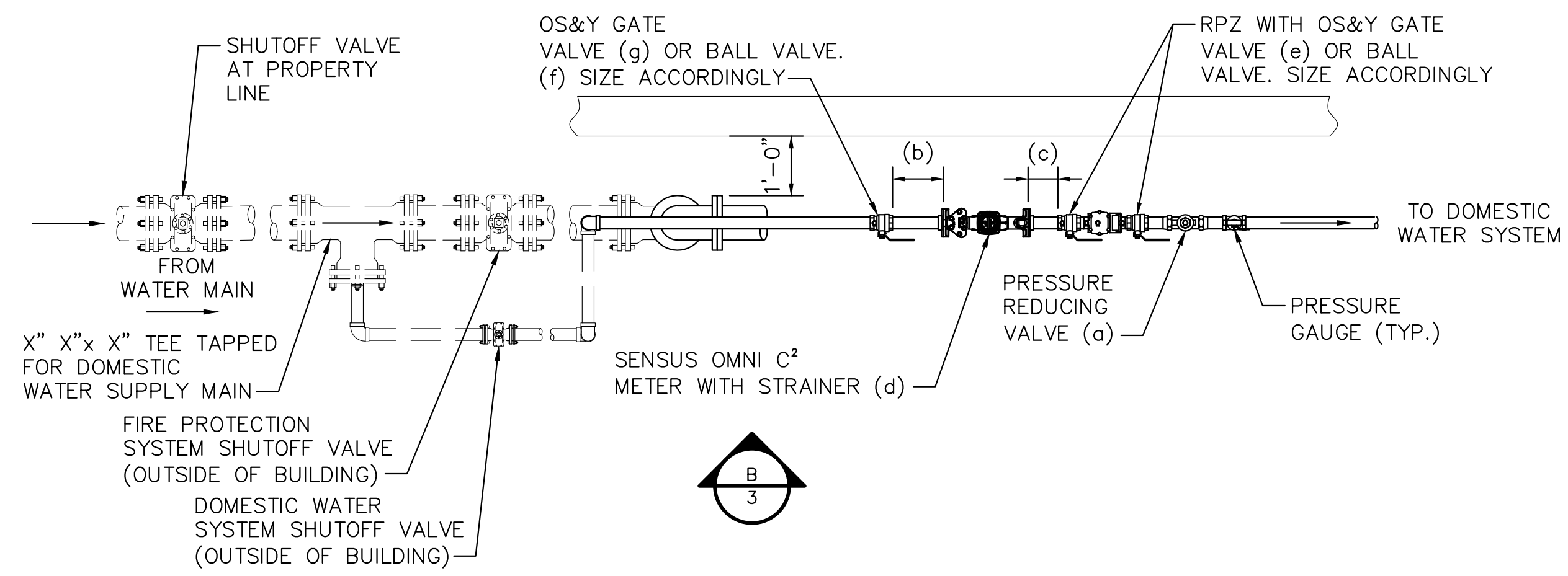
# MECHANICAL ROOM INSTALLATION DETAILS



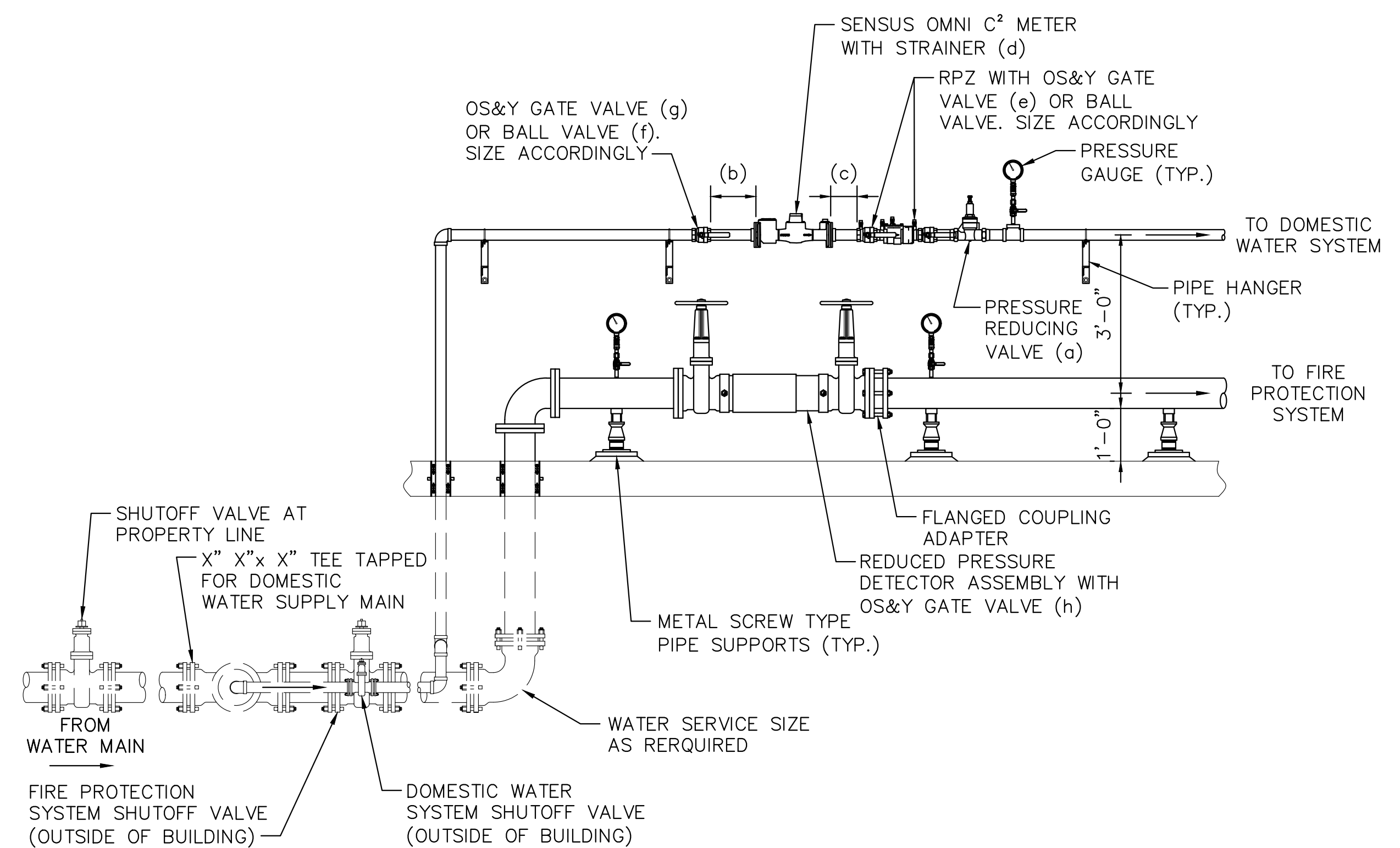
**FIRE PROTECTION SYSTEM PLAN**  
SCALE: 1/2"=1'-0"



**ELEVATION**  
SCALE: 1/2"=1'-0"



**DOMESTIC WATER SYSTEM PLAN**  
SCALE: 1/2"=1'-0"



**ELEVATION (WITHOUT DOMESTIC BYPASS)**  
SCALE: 1/2"=1'-0"

VERIFY SCALES  
BAR IS ONE INCH ON ORIGINAL DRAWING.  
IF NOT ONE INCH ON THIS SHEET, ADJUST SCALE ACCORDINGLY.

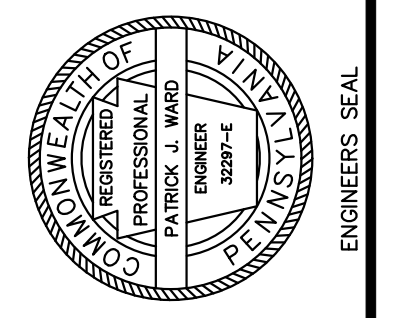
DATE: .....

DESIGNED BY: MAC  
CHECKED BY: P.U.W.  
DRAWN BY: J.L.H.

REV. DESCRIPTION

MUNICIPAL AUTHORITY  
BOROUGH OF LEWISTOWN

ENGINEER'S SEAL



THE MUNICIPAL AUTHORITY  
OF THE BOROUGH OF LEWISTOWN

CROSS CONNECTION DETAILS

METERING PLANS

I:\0179\049007\CADD\SYSTEMS\CROSS CONNECTION DETAILS.DWG